

STUDIO2

STUDIO2 has a neat and elegant design. Several customisations and options give you a great opportunity to personally contribute to the character of your tiled stove.

Clean lines and the large glass door give character to this reliable heat source. The pleasant and slow heat release of this tiled stove is optimal for installation in a new, well insulated house where the direct radiant heat from a traditional stove is often perceived as uncomfortable.

Technical data

Article no. G420, G421, G422, G423

CE marking: EN 15250

Height: 2380–2420 mm (customised to your needs)

Weight: 1400 kg

Diameter (base): 720 mm

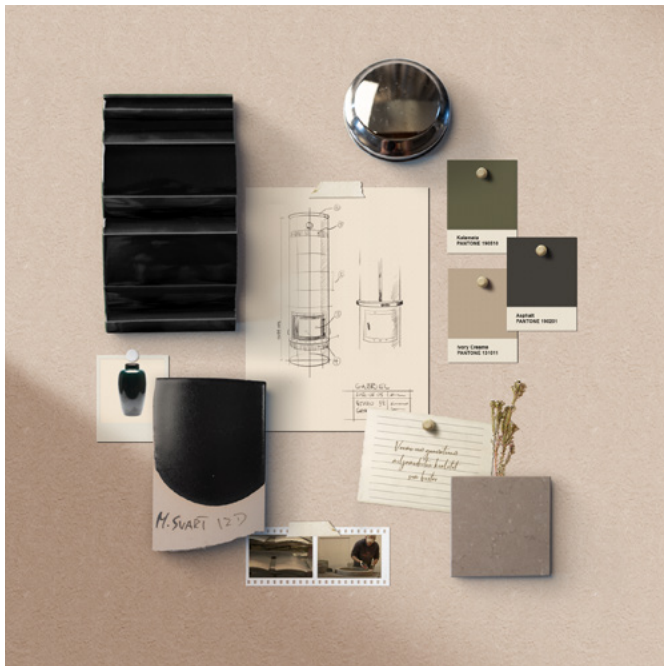
Energy efficiency: 92.4%

Nominal heat output (kW): 4.5

Heat retention: Up to 24 hours

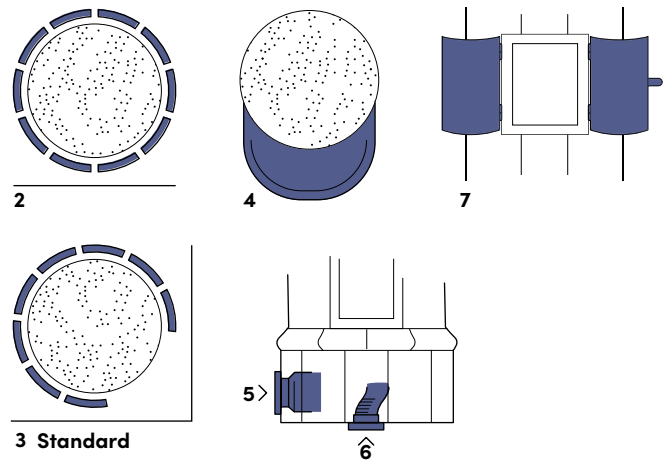
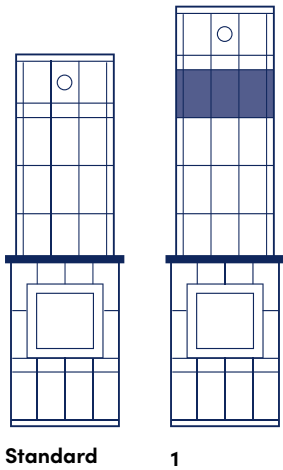
Connection: Rear or top flue connection





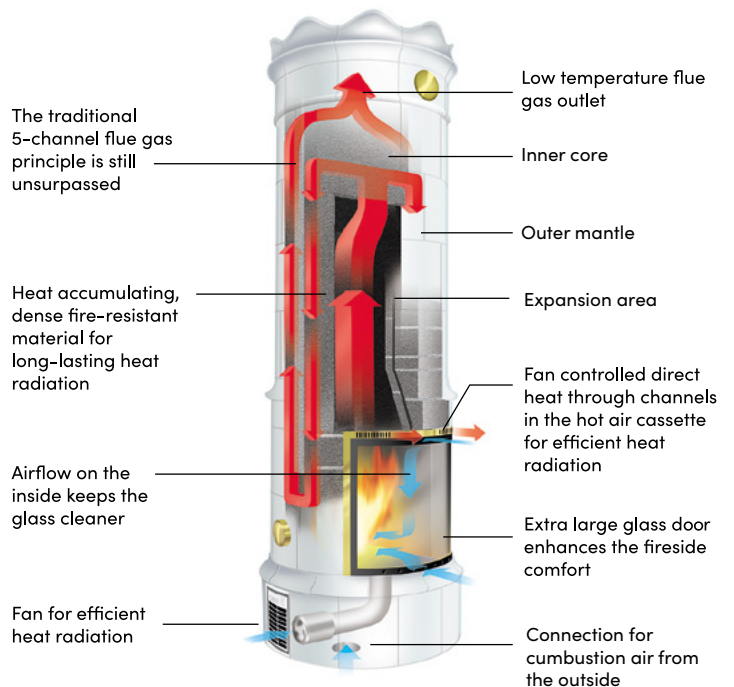
Manufactured by hand in Timmernabben and one of a kind, custom-made for you.

There are plenty of opportunities to incorporate your own exciting ideas into the tile setting and many tile colours to choose from so that you can put your own personal touch on STUDIO2. Choose a cassette frame and decorative trim in brushed stainless steel or brass. The stove is equally suitable in a corner or against a straight wall and its height can be adjusted to the height of the ceiling in the room by adding extra rows of tiles. There are many options when you choose STUDIO2 for your home.



Optional

- 1 - Elevation - extra course (310 mm)
- 2 - Tiles all around (optional)
- 3 - Corner mounting, tiling 4/5 (**standard**)
- 4 - Spark protection plate, brass or stainless
Stainless steel instead of brass
- 5 - Fan
Control for fan
- 6 - Supply air (connection from outside)
- 7 - Doors (brass /stainless)



Want to save a piece of paper?
Scan the qr-code for a digital product sheet.